



## Dual Band WiFi + GPS/GNSS Antenna

- Compact Stylish Shape
- Dual Band 2.4 / 5GHz WiFi
- GPS/GNSS Active Antenna

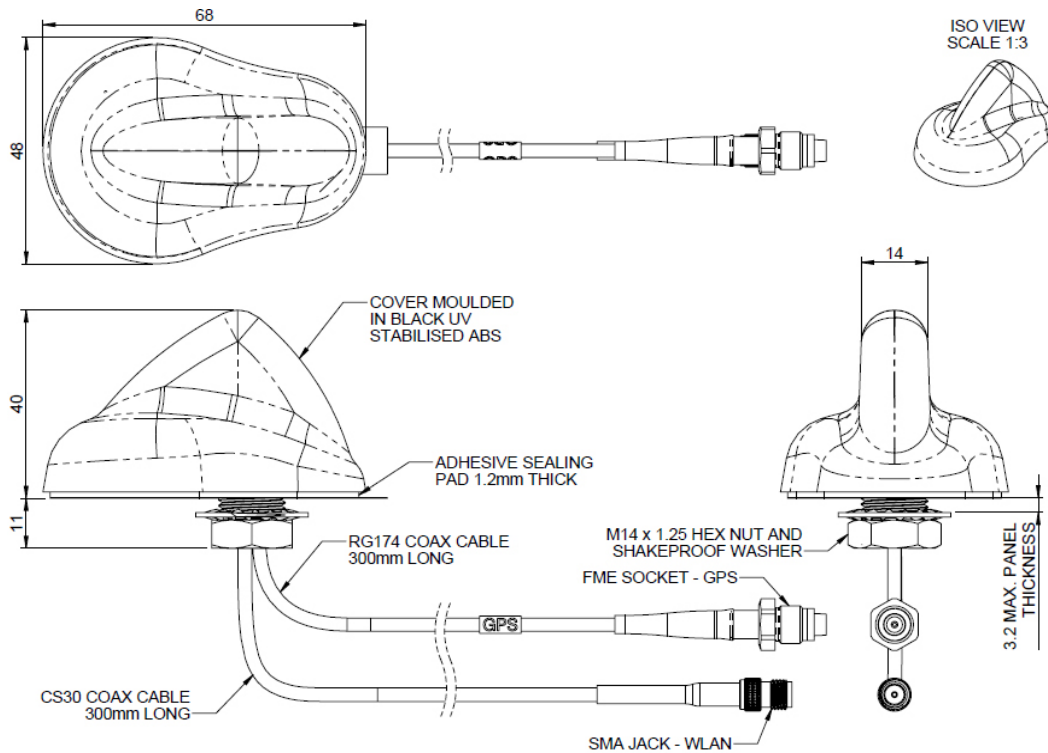
The GPSF-24-58 is a dual function, compact 'fin' style antenna for 2.4GHz / 5GHz WiFi and incorporates an active GPS/GNSS antenna.

The GPS/GNSS antenna features a 30dB gain LNA and is suitable for use with GPS/GLONASS/Galileo & BeiDou systems.

The antenna only requires a single hole for mounting on the roof of a vehicle or an equipment enclosure. This rugged fin style antenna is an ideal choice for Public Safety and Fleet vehicles or use with on site/remote equipment.

### Technical Drawing

GPSF-24-58 Shown



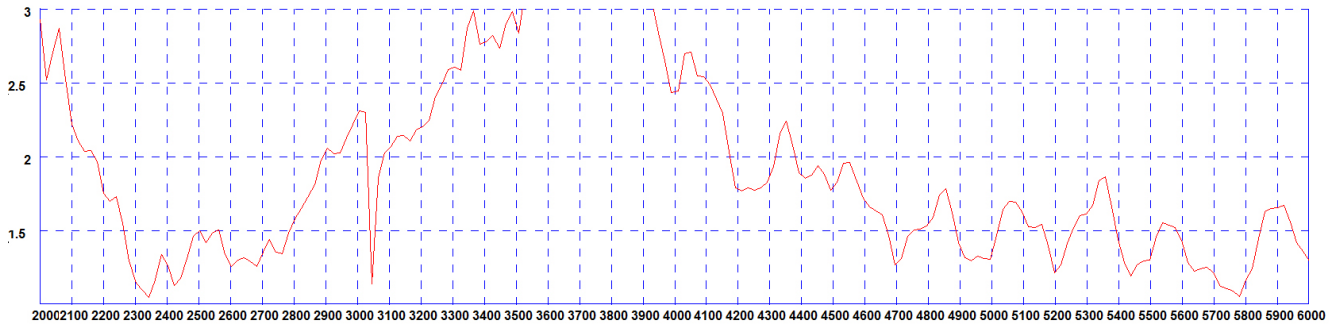
# Compact Fin Style WiFi + GPS/GNSS Antenna GPSF-24-58

## Product Data

Part No.		GPSF-24-58
<b>Electrical Data</b>		
Frequency Range (MHz)	2.4/5GHz	
Gain: Isotropic	2dBi	
Polarisation	Vertical	
Pattern	Omni-directional	
Impedance	50Ω	
Max Input Power (W)	25	
<b>GPS Data</b>		
Frequency Range (MHz)	1562-1612	
VSWR	<2.0:1 ± 4MHz	
Gain: LNA	30dB	
Polarisation	Right Hand Circular	
Operating Voltage	3 - 5V DC (fed via coax)	
Current	<20mA	
<b>Mechanical Data</b>		
Dimensions (mm)	Height	40 (1.5")
	Width	48 (1.8")
	Length	68 (2.7")
Operating Temp (°C)	-40° / +80°C (-40° / +176°F)	
Material	UV Stable ABS	
<b>Mounting Data</b>		
Fixing	(14mm / 0.5") Panel mount	
<b>Cable Data</b>		
GPS Cable	Type	RG174
	Diameter (mm)	2.8 (0.11")
	Length (m)	0.3 (1')
	Termination	FME socket
Comms Cable	Type	CS30
	Diameter (mm)	2.8 (0.11")
	Length (m)	0.3 (1')
	Termination	SMA Jack

Electrical Data - Cell

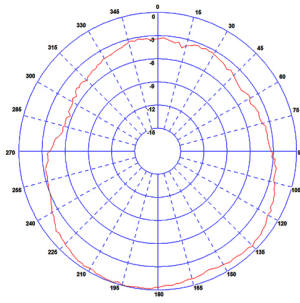
Typical VSWR\*



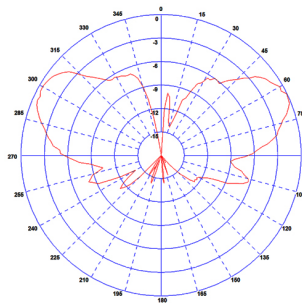
\*VSWR measured on a 600x600mm (2'x2') ground plane with 1m of (3') SR30 cable

Pattern - GNSS

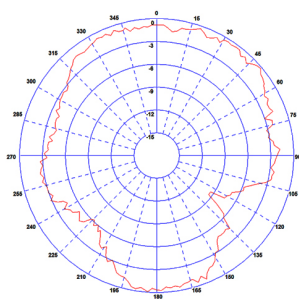
Typical H-Plane (2450MHz)



Typical E-Plane(2450MHz)



Typical H-Plane (5600MHz)



Typical E-Plane (5600MHz)

